

# Invacare® IVC™ 9000 XT Wheelchair

## Price List and Order Form

www.invacare.com

Customer Service: 800-333-6900

Fax: 800-678-4682

To order literature: 800-828-6282



Yes, you can.®

### TRANSACTION TYPE:

Order       Quote

Date \_\_\_\_\_ Account # \_\_\_\_\_ P.O. # \_\_\_\_\_  
 Company Name \_\_\_\_\_ Phone # \_\_\_\_\_  
 Address \_\_\_\_\_ City \_\_\_\_\_ State \_\_\_\_\_ Zip Code \_\_\_\_\_ Country \_\_\_\_\_  
 Contact Name \_\_\_\_\_ Comments \_\_\_\_\_

### Special Note

HCPCS codes are not intended to be, nor should be considered billing or legal advice. Providers are responsible for determining the appropriate billing codes when submitting claims to the Medicare Program and should consult an attorney or other advisor to discuss specific situations in further detail.

Existing information (serial number) will need to be supplied to Customer Service to ensure correct configuration.

## PRE-CONFIGURED STOCK WHEELCHAIRS

### STOCK CHAIRS

Quantity	Model Number	Description	List Price
<input type="checkbox"/>	9XT_PTO_29154	9XT/WD66/88 9000XT 16" x 16" Adult, Desk Length Fixed Ht Space Saver Arm (9153629154)	\$1,290.66
<input type="checkbox"/>	9XT_PTO_29153	9XT/WD86/88 9000XT 18" x 16" Adult, Desk Length Fixed Ht Space Saver Arm (9153629153)	\$1,290.66
<input type="checkbox"/>	9XT_PTO_29155	9XT/WD86/78 9000XT 18" x 16" Adult, Full Length Fixed Ht Space Saver Arm (9153629155)	\$1,290.66
<input type="checkbox"/>	9XT_PTO_33131	9XT/WD06/88 9000XT 20" x 16" Adult, Desk Length Fixed Ht Space Saver Arm (9153633131)	\$1,290.66

### STOCK FRONT RIGGINGS

Quantity	Model Number	Description	List Price
<input type="checkbox"/>	T93HAP	T93HA Hemi Sw. Footrests Aluminum Footplates with Heel Loops (9153653624)	\$99.13 <sup>E0951</sup>
<input type="checkbox"/>	T93HCP	T93HC Hemi Sw. Footrests Composite Footplates with Heel Loops (9153653625)	\$99.13 <sup>E0951</sup>
<input type="checkbox"/>	T94HAP	T94HA/U67 Hemi Sw. Elev Legrests Aluminum Footplates (9153653627)	\$191.86 <sup>K0195 E0990</sup>
<input type="checkbox"/>	T94HCP	T94HC/U67 Hemi Sw. Elev Legrests Composite Footplates (9153653628)	\$191.86 <sup>K0195 E0990</sup>
<input type="checkbox"/>	AHL4A_PTO_19911	AHL4A/U67 Hemi Smartleg Art. Legrests Aluminum (9153619911)	\$341.09 <sup>K0053</sup>

### STOCK OPTIONS

Quantity	Model Number	Description	List Price
<input type="checkbox"/>	1497	Oxygen Holder Pkg Assy	\$161.72 <sup>E2208</sup>
<input type="checkbox"/>	1496	IV / Oxygen Hldr Pkg Assy	\$169.22 <sup>K0108</sup>
<input type="checkbox"/>	1360	Adj Rear Anti - Tip 8" Caster	\$87.82 <sup>E0971</sup>
<input type="checkbox"/>	1360A	Adj Rear Anti - Tip 6" Caster	\$87.82 <sup>E0971</sup>
<input type="checkbox"/>	A1576	Wheel Lock Extensions	\$41.77 <sup>E0961</sup>

**All prices subject to change without notice.**  
**NOTE: All specifications and dimensions are approximate.**  
**For the most current pricing information, go to [www.invacare.com/homecare](http://www.invacare.com/homecare).**

# Invacare® IVC™ 9000 XT Wheelchair

## FRAME AND SEAT SELECTIONS

### FRAME TYPE

9XT 9000XT ..... \$1,290.66 K0004

### FRAME WIDTH AND DEPTH

- WD46 14" x 16" ..... No Charge A9900
- WD48 14" x 18" ..... \$126.38 A9900
- WD56 15" x 16" ..... \$126.38 A9900
- WD58 15" x 18" ..... \$126.38 A9900
- WD66 16" x 16" ..... No Charge
- WD67 16" x 17" ..... \$126.38 A9900
- WD68 16" x 18" ..... \$126.38 A9900
- WD76 17" x 16" ..... \$126.38 A9900
- WD77 17" x 17" ..... \$126.38 A9900
- WD78 17" x 18" ..... \$126.38 A9900
- WD86 18" x 16" ..... No Charge
- WD87 18" x 17" ..... \$126.38 A9900
- WD88 18" x 18" ..... \$126.38 A9900
- WD96 19" x 16" ..... \$152.08 A9900  
**Not av available with Super Low seat-to-floor.**
- WD97 19" x 17" ..... \$272.03 A9900  
**Not av available with Super Low seat-to-floor.**
- WD98 19" x 18" ..... \$272.03 A9900  
**Not av available with Super Low seat-to-floor.**
- WD06 20" x 16" ..... \$152.08 E2201  
**Not av available with Super Low seat-to-floor.**
- WD07 20" x 17" ..... \$272.03 E2201  
**Not av available with Super Low seat-to-floor.**
- WD08 20" x 18" ..... \$272.03 E2201  
**Not av available with Super Low seat-to-floor.**
- WD26 22" x 16" ..... \$152.08 E2201  
**Not av available with Super Low seat-to-floor.**
- WD27 22" x 17" ..... \$272.03 E2201  
**Not av available with Super Low seat-to-floor.**
- WD28 22" x 18" ..... \$272.03 E2201  
**Not av available with Super Low seat-to-floor.**

### SEAT-TO-FLOOR HEIGHT

- A Adult (19 1/2" STF) ..... No Charge  
**Based on 24" wheels and 8" casters. See seat-to-floor matrix.**
- H Hemi (17 1/2" STF) ..... No Charge  
**Based on 24" wheels and 8" casters. See seat-to-floor matrix.**
- SH Super Low (14 1/2" STF) ..... \$91.04
- SHE Super Hemi (15 1/2" STF) ..... No Charge  
**Based on 20" wheels and 6" casters. See seat-to-floor matrix. Requires AT902 (6" casters), U1763BK (20" composite wheels, urethane tires) AHDRM (aluminum handrims) and A1576 (wheel lock extensions). Seat-to-floor height is approximately 15 1/2"**

## CASTERS

### CASTER OPTIONS

- AT902 6" Composite Urethane 3 Spoke ..... No Charge A9900
- 1228 8" x 1 3/4" Semi. Pneu Casters Lt Grey ..... \$59.98  
**Not av available with Super Low seat-to-floor.**
- AT903 8" x 1 1/4" Composite Urethane ..... Standard  
**Not av available with Super Low seat-to-floor.**
- 1299 8" x 1" Solid Rubber Casters ..... No Charge  
**Not av available with Super Low seat-to-floor.**
- 1292 8" x 1 1/4" Pneu Casters ..... \$93.18 A9900  
**Not av available with Super Low seat-to-floor.**
- 1492 8" x 1 1/4" Pneu. with Flat Free Inserts ..... \$111.38 E2217  
**Not av available with Super Low seat-to-floor.**

### CASTER JOURNAL OPTION

**Not av available with Adjustable Angle or Adjustable Angle-S Back Type.  
Not av available with Super Low seat-to-floor.  
Fixed caster journals are standard.**

- ADJC Adjustable Caster Journal ..... \$31.06 A9900
- ADJCPB Adjustable Precision Bearing Caster Journal ..... \$43.91 A9900

## ARM AND BACK OPTIONS

### ARM TYPE

**Arm types are removable, flip-back.**

- 18 Full Length Fixed Ht Conv (10") ..... No Charge A9900
- 19 Full Length Adj. Ht. Conv (10" - 14") ..... \$134.95 E0973
- 28 Desk Length Fixed Ht. Conv (10") ..... No Charge A9900
- 29 Desk Length Adj. Ht. Conv (10" - 14") ..... \$134.95 E0973
- 78 Full Length Fixed Ht. SS (10") ..... No Charge  
**Not av available with adjustable angle back type.**
- 79 Full Length Adj. Ht. SS (10" - 14") ..... \$134.95 E0973  
**Not av available with adjustable angle back type.**
- 88 Desk Length Fixed Ht. SS (10") ..... No Charge  
**Not av available with adjustable angle back type.**
- 89 Desk Length Adj. Ht. SS (10" - 14") ..... \$134.95 E0973  
**Not av available with adjustable angle back type.**
- 79JY Full Length Adj. Ht. SS (8" - 10") ..... \$139.23 E0973  
**Not av available with adjustable angle back type.**
- 89JY Desk Length Adj. Ht. SS (8" - 10") ..... \$139.23 E0973  
**Not av available with adjustable angle back type.**

### BACK TYPE

- ADJ Adj. Back with 10° Bend ..... No Charge
- S1418 Straight Back w/ Push Handles (15" - 18") ..No Charge K0108
- ANGLE Adj. Angle Back with 10° Bend ..... \$107.10 K0108  
**Not av available with Super Low seat-to-floor. Standard with rear anti-tippers.**
- ANGLE-S Adj. Angle Back with Straight ..... \$107.10  
**Not av available with Super Low seat-to-floor. Standard with rear anti-tippers.**

## COLOR OPTIONS

### FRAME FINISH

- 08P Deep Purple ..... No Charge
- 17P Cobalt Blue ..... No Charge
- 24P Wet Black ..... No Charge
- 34P Satin (Flat) Black ..... No Charge
- 71P Silver Vein ..... No Charge
- 88P Wet Black with Twilight Sparkle ..... No Charge
- 105P Midnight Blue ..... No Charge

### CANDY COLORS

- 61P Electric Red ..... No Charge
- 62P Electric Blue ..... No Charge
- 66P Electric Purple ..... No Charge
- 104P Electric Teal ..... No Charge

### UPHOLSTERY COLORS

- U67 Black Vinyl ..... No Charge  
**Vinyl upholstery must choose WRAP or SOUPH.**
- U240 Black Nylon Upholstery ..... Standard
- U245 Black Sail Cloth Adj. Tension Seat ..... \$10.71 A9900  
**U245 sail cloth adjustable tension seat upholstery av available with U240 black nylon back upholstery only.**

### NAUGAHYDE

- WRAP Wrap Around Upholstery ..... \$82.47 A9900
- SOUPH Screwed On Back Upholstery ..... \$95.32 A9900  
**Not av available with Adjustable Angle or Adjustable Angle-S Back Type.**

**All prices subject to change without notice.**

**NOTE: All specifications and dimensions are approximate.**

**For the most current pricing information, go to [www.invacare.com/homecare](http://www.invacare.com/homecare).**

**WHEELS**

**WHEEL OPTIONS**

- 1763BK 20" Composite Pneu. Tires ..... \$125.31 A9900
- 4763BK 20" Composite Pneu. Flat Free Inserts ..... \$248.47 E2213
- U1763BK 20" Composite Urethane Tires ..... \$121.02 A9900
- 1764BK 22" Composite Pneu. Tires ..... \$125.31 A9900
- 4764BK 22" Composite Pneu Flat Free Inserts ..... \$248.47 E2213
- 5244BK 24" HD Comp. Pneu. with FF Inserts ..... \$319.16 E2213
- Not av ailable with Super Low seat-to-floor.**
- U1764BK 22" Composite Urethane Tires ..... \$121.02 A9900
- 2244BK 24" Composite Pneu. Tires ..... \$149.94 A9900
- Not av ailable with Super Low seat-to-floor.**
- 4244BK 24" Composite Pneu. with FF Inserts ..... \$240.98 E2213
- Not av ailable with Super Low seat-to-floor.**
- U2244BK 24" Composite Urethane Treaded Tires ..... \$128.52 A9900
- Not av ailable with Super Low seat-to-floor.**
- U2222C 24" Composite Urethane Corded Tires ..... Standard
- Not av ailable with Super Low seat-to-floor.**

**WHEEL OPTIONS (ONE ARM DRIVE - OAD)**

The Cyclical Lev er drive requires treaded rear wheels and is only available on 16", 17", and 18" deep. Hemi seat-to-floor must use space sav er arms. Weight limit is 250 lbs. The above options are not av ailable with amputee attachment or offset axle.

- 9456L LH One Arm Drive with U2222C ..... \$649.03 E0958
- 9456R RH One Arm Drive with U2222C ..... \$649.03 E0958
- LDR96R1 6" Right Hand Cyclical Lever One Arm Drive .. \$853.59 E0958
- Not av ailable with Super Low seat-to-floor.**
- Not av ailable with adjustable caster journal.**
- LDR96L1 6" Left Hand Cyclical Lever One Arm Drive .... \$853.59 E0958
- Not av ailable with Super Low seat-to-floor.**
- Not av ailable with adjustable caster journal.**
- LDR98R1 8" Right Hand Cyclical Lever One Arm Drive .. \$853.59 E0958
- Not av ailable with Super Low seat-to-floor.**
- Not av ailable with adjustable caster journal.**
- LDR98L1 8" Left Hand Cyclical Lever One Arm Drive .... \$853.59 E0958
- Not av ailable with Super Low seat-to-floor.**
- Not av ailable with adjustable caster journal.**

**HANDRIM OPTIONS**

- AHDRM Aluminum Handrims ..... No Charge
- Not av ailable with U2222C rear wheels.**
- COM Composite Handrims ..... Standard
- Not av ailable on 20" and 22" composite rear wheels.**
- 1512 Plstc Coated Aluminum Handrims ..... \$91.04
- 1224-8 8 Alum Oblique Proj. Hdrm, Plstc Coat ..... \$269.89 E0967
- Not av ailable on 20" and 22" composite rear wheels.**
- 1225-8 8 Alum Vert. Proj. Hdrm, Plstc Coat ..... \$269.89 E0967
- Not av ailable on 20" and 22" composite rear wheels.**

**REAR AXLE**

- OFFAXL Offset Axle ..... \$42.84 K0108
- Not av ailable with Adjustable Angle or Adjustable Angle-S Back Type. Not av ailable with Super Low seat-to-floor.**

**WHEEL LOCKS**

The above selections are not av ailable with Adjustable Angle or Adjustable Angle-S Back Type.

- 9690B Pull To Lock Whl Locks (Std on Hemi) ..... No Charge
- 9691B Push To Lock Whl Locks (Std On Adult) ..... No Charge
- A1567 Pull To lock Clamp On Whl Locks ..... \$81.40 A9900
- 1721 High Push To Lock Clamp On Whl Locks ..... \$76.04 A9900

**POSITIONING STRAP OPTIONS**

**SEAT POSITIONING STRAPS**

- 1515 Push Button Style Seat Positioning Strap ..... \$53.55 A9900 E0978
- 1321BK Hook and Loop Seat Positioning Strap ..... \$42.84 E0978

**CHEST POSITIONING STRAPS**

- 9515 Push Button Style Chest Positioning Strap ..... \$53.55 E0960

**ACCESSORIES AND STOCK OPTIONS**

**BACK ACCESSORIES**

- L8601 Omit Back Upholstery ..... Less \$0.00
- ADJTENS Adjustable Tension Back Upholstery ..... \$119.95
- 1160 Carrying Pocket ..... \$57.83 A9270
- STC Stencil Back Upholstery ..... \$31.06 A9270
- Only av ailable with vinyl upholstery. Block letters are .75" in height.**
- RB Dual Back Liner ..... \$49.00 A9270
- BP02 Back Pack ..... \$53.55 A9270

**SEAT ACCESSORIES**

- L8651 Omit Seat Upholstery ..... Less \$0.00
- 9120 Solid Seat Insert ..... \$104.96 A9900
- Not av ailable on 22" wide chairs.**
- RS Dual Seat Liner ..... \$52.48 A9270

**ARM ACCESSORIES**

- NRAS Non-Removable Arm With Screws ..... \$10.71 A9900
- 1300 Utility Tray ..... \$168.15 E0950
- Not av ailable with 24" rear wheel set in Hemi position.**

**MISCELLANEOUS ACCESSORIES**

- 1305L Crutch and Cane Carrier ..... \$46.05 E2207
- Not av ailable with traditional one arm drive, but is av ailable with CLD one arm drive.**
- 1577QR Quick Release Axles ..... \$92.11 K0108
- Not av ailable with offset axle.**
- Not av ailable with any one arm drive.**
- 2218 IV Rod, Telescopic ..... \$160.65 K0105
- Not av ailable with traditional one arm drive, but is av ailable with CLD one arm drive.**
- 2226 Front Anti - Tippers ..... \$88.89 E0971
- 9357SH Super Low Amputee Attachment ..... \$100.78
- E0959 Only av ailable on Super Low Seat-to-Floor.**
- 1360SH Super Low Adj Rear Anti - Tipper ..... \$87.82 E0971
- Only av ailable on Super Low Seat-to-Floor.**
- 9357L Amputee Attachment ..... \$100.78 E0959
- Not av ailable with offset axle.**
- Not av ailable with any one arm drive.**

**STOCK OPTIONS**

- 1497 Oxygen Holder Package Assembly ..... \$161.72 E2208
- Not av ailable with traditional one arm drive, but is av ailable with CLD one arm drive.**
- Not av ailable with offset axle.**
- For 0" and 6" seat angles. See service manual for details.**
- 1496 IV / Oxygen Holder Package Assembly ..... \$169.22 K0108
- Not av ailable with offset axle.**
- Not av ailable with any one arm drive.**
- 1360 Adjustable Rear Anti - Tipper (8" Casters) ..... \$87.82 E0971
- Only av ailable with 8" casters.**
- Standard with Adjustable Angle Back.**
- 1360A Adjustable Rear Anti - Tipper (6" Casters) ..... \$87.82 E0971
- Only av ailable with 6" casters.**
- A1576 Wheel Lock Extensions ..... \$41.77 E0961
- Elastic cord wheel lock extensions. Hemi seat to floor come standard with non-cord wheel lock extensions.**
- 1100 Tool Kit ..... No Charge

All prices subject to change without notice.

NOTE: All specifications and dimensions are approximate.

For the most current pricing information, go to [www.invacare.com/homecare](http://www.invacare.com/homecare).

**FRONT RIGGING OPTIONS**

**FRONT RIGGING**

- T93HA Hemi Sw. Footrests Aluminum Footplates with Heel Loops .. \$99.13
- T93HC Hemi Sw. Footrests Composite Footplates with Heel Loops .. \$99.13
- T94HA Hemi Sw. Elev. Legrests Aluminum Footplates ....\$191.86 <sup>K0195</sup> <sub>E0990</sub>
- T94HC Hemi Sw. Elev. Legrests Composite Footplates ..\$191.86 <sup>K0195</sup> <sub>E0990</sub>
- SH904M Super Low Elev. Legrests 11" - 17" ..... \$266.00 <sup>K0195</sup> <sub>E0990</sub>
- SH904MS Super Low Elev. Legrests 14" Wide ..... \$266.00 <sup>K0195</sup> <sub>E0990</sub>
- SH93E Super Low Ext. Sw. Footrests 11" - 17" ..... \$185.00 <sup>A9900</sup>
- SH93ES Super Low Ext. Sw. Footrests 14" Wide ..... \$185.00 <sup>A9900</sup>
- AHL4A Hemi Smartleg Art. Legrests 16" and Above.... \$320.00 <sup>K0053</sup>
- AHL4C Hemi Smartleg Art. Legrests 16" and Above.... \$320.00 <sup>K0053</sup>
- AHS4A Hemi Smartleg Art. Legrests 14" - 15" Wide ... \$320.00 <sup>K0053</sup>
- T93HS Hemi Sw. Footrests Aluminum Footplates 14" Wide \$95.93 <sup>A9900</sup>
- T94HS Hemi Sw. Elev. Legrests Aluminum Footplates 14" Wide ..... \$186.53 <sup>K0195</sup>
- T963A 60° Footrests Aluminum Footplate ..... \$95.93 <sup>A9900</sup>
- T963C 60° Footrests Composite Footplate ..... \$95.93 <sup>A9900</sup>
- T963S 60° Footrests Composite Footplate 14" Wide ..... \$95.93 <sup>A9900</sup>

**FOOTPLATE OPTIONS**

- 1350 Extra Large Aluminum Footplates ..... \$84.21 <sup>K0041</sup>
- AT5543 Adjustable Angle Flip - up Footplates ..... \$71.42 <sup>K0040</sup>

**FOOTREST / LEGREST ACCESSORIES**

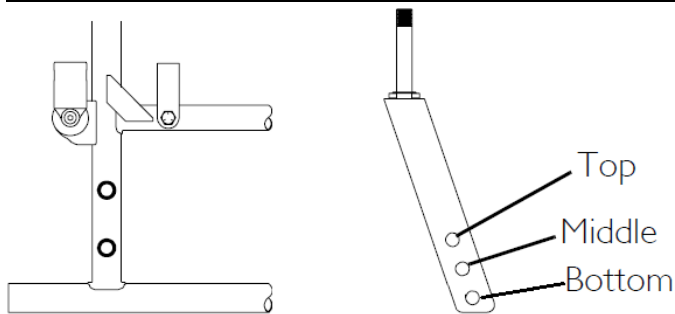
- 1820 Non - Removable Device ..... \$12.79 <sup>A9900</sup>
- 1337 Calf Strap ..... \$38.37 <sup>K0038</sup>
- 1346 Heel Loops ..... \$41.57 <sup>E0951</sup>
- IMPACTG Impact Guards ..... \$54.36

Seat-to-Floor 6" Casters			
Seat-to-Floor Height	Front Caster Mounting Position	Rear Wheel Size	Rear Wheel Mounting Position
15 1/2"	Top	20"	Top
16 1/2"	Middle	22"	Top
17 1/2"	Bottom	24"	Top
17 1/2"	Bottom	20"	Bottom

Seat-to-Floor 8" Casters			
Seat-to-Floor Height	Front Caster Mounting Position	Rear Wheel Size	Rear Wheel Mounting Position
17 1/2"	Top	20"	Bottom
17 1/2"	Top	24"	Top
18 1/2"	Middle	22"	Bottom
19 1/2"	Bottom	24"	Bottom

Seat-to-Floor 6" Casters and Offset Axle Bracket					
Seat-to-Floor Height	Front Caster Mounting Position	Rear Wheel Size	Rear Wheel Mounting Position	Axle Plate Mounting on Frame	
				Top Lug	Bottom Lug
15 1/2"	Top Hole	22"	#5 Hole	#4 Hole	#1 Hole
15 1/2"	Top Hole	20"	#3 Hole	#4 Hole	#1 Hole
16 1/2"	Middle Hole	24"	#5 Hole	#4 Hole	#1 Hole
16 1/2"	Middle Hole	22"	#3 Hole	#4 Hole	#1 Hole
16 1/2"	Middle Hole	20"	#2 Hole	#4 Hole	#1 Hole
17 1/2"	Bottom Hole	24"	#3 Hole	#4 Hole	#1 Hole
17 1/2"	Bottom Hole	22"	#2 Hole	#4 Hole	#1 Hole
17 1/2"	Bottom Hole	20"	#3 Hole	#4 Hole	#1 Hole

For a complete list of seat-to-floor heights and angles that are configurable by the dealer refer to the service manual.



Seat-to-Floor 8" Casters and Offset Axle Bracket					
Seat-to-Floor Height	Front Caster Mounting Position	Rear Wheel Size	Rear Wheel Mounting Position	Axle Plate Mounting on Frame	
				Top Lug	Bottom Lug
17 1/2"	Top Hole	20"	#3 Hole	#1 Hole	#4 Hole
17 1/2"	Top Hole	22"	#2 Hole	#4 Hole	#1 Hole
17 1/2"	Top Hole	24"	#3 Hole	#4 Hole	#1 Hole
18 1/2"	Middle Hole	22"	#3 Hole	#1 Hole	#4 Hole
18 1/2"	Middle Hole	24"	#2 Hole	#4 Hole	#1 Hole
19 1/2"	Bottom Hole	20"	#3 Hole	#1 Hole	#4 Hole

For a complete list of seat-to-floor heights and angles that are configurable by the dealer refer to the service manual.

**Weight Limitation 250 Pounds**  
 Invacare recommends all wheelchairs be fitted to the consumer under the guidance of a healthcare professional, knowledgeable of the particular limitations of the product.

**All prices subject to change without notice.**  
**NOTE: All specifications and dimensions are approximate.**  
 For the most current pricing information, go to [www.invacare.com/homecare](http://www.invacare.com/homecare).

**Invacare Corporation** [www.invacare.com](http://www.invacare.com)

**USA**  
 One Invacare Way  
 Elyria, OH USA  
 44035-4190  
 800-333-6900

©2020 Invacare Corporation  
 All rights reserved. Trademarks are identified by the symbols™ and ®. All trademarks are owned by or licensed to Invacare Corporation unless otherwise noted. Specifications and prices are subject to change without notification.



Revised January 1, 2020